

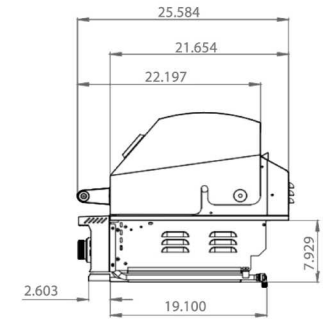
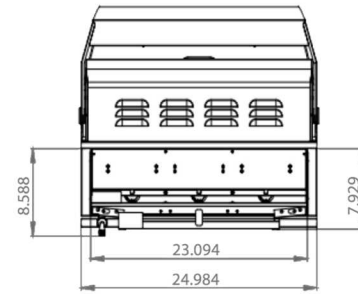
TFE Grill

TRUE  FLAME

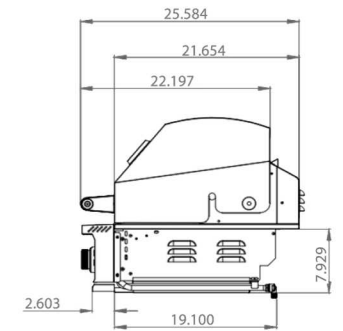
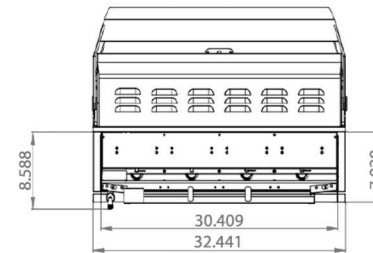
The TrueFlame TFE grill redefines value with premium craftsmanship. Available in a 32" 4-burner model and a 25" 3-burner model, each is packed with features and built-to-last. 14,000 BTU stainless steel tube burners, #304 stainless steel construction, & a meticulously designed profile ensure this grill not only stands the test of time but supports amazing culinary results. Elevate your outdoor environment with this commercial-grade, quality grill you can trust, all backed by the Gold Standard Lifetime Warranty.



TFE 25" Grill
3 Burners: 42,000 Total BTUs
 Cooking Surface Sq. In.:
539"



TFE 32" Grill
4 Burners: 56,000 Total BTUs
 Cooking Surface Sq. In.:
716"



FEATURES:

- Heat Zone Separators
- #304 Stainless Steel Flame Tamers / Burner Covers
- Stainless Steel Cooking Grates
- Constructed with #304 Stainless Steel
- #304 Stainless Steel Tube Burners
- 14,000 BTU Burners
- Flame Thrower Ignition
- ETL Certified
- Rotisserie Kit Available
- Deluxe Vinyl Grill Cover Available
- Optional drop in sear burner (TF-IRB)

