



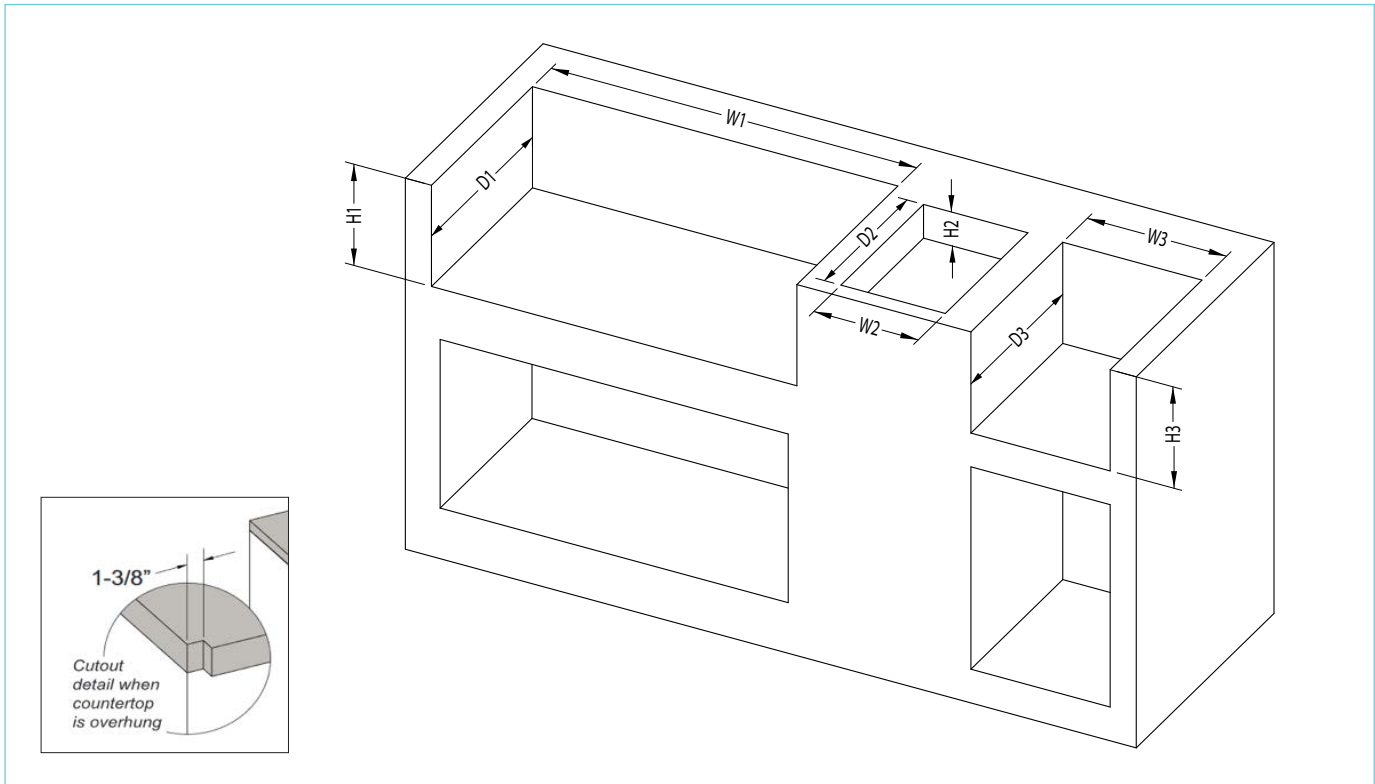
**B SERIES**

---

PRODUCT *specifications*

# Stainless Grill DIMENSIONS.

## BUILT IN GRILL HEADS & SIDE BURNERS



### BUILT-IN GRILL HEAD DIMENSIONS (IN INCHES)

	W1	H1	D1
<b>BSB324N/P</b>	31	7 15/16	20 1/2
<b>BSB405N/P</b>	38	7 15/16	20 1/2

### GRILL HEAD SLEEVES (IN INCHES)

	W1	H1	D1
<b>BSASL32</b>	32	8 1/2	21
<b>BSASL40</b>	39	8 1/2	21

### SIDE BURNERS (IN INCHES)

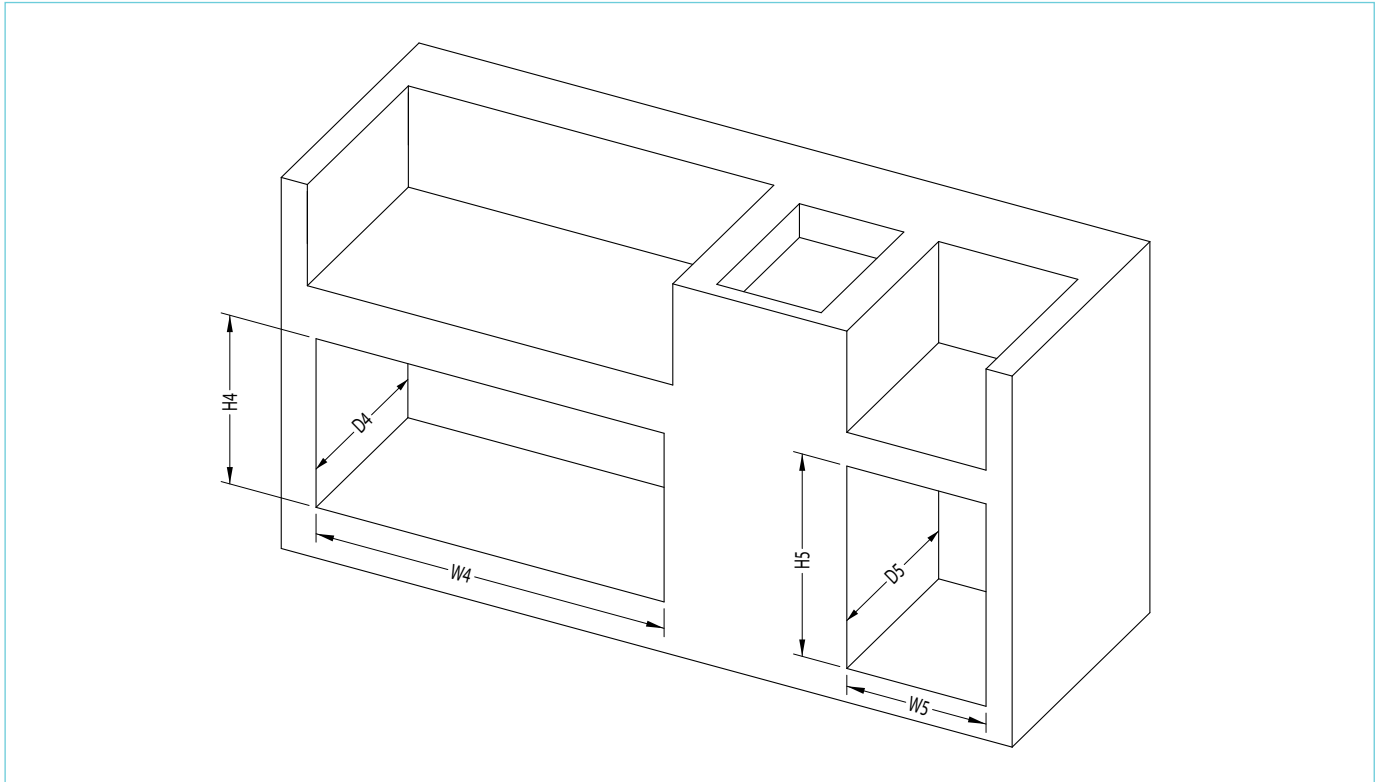
	W2	H2	D2
<b>BSAF12D</b>	11 1/4	3	18
	W3	H3	D3
<b>BSABF12</b>	11 7/8	11 3/4	21
<b>BSABW16</b>	15	11 3/4	19

### SIDE BURNER SLEEVES (IN INCHES)

	W3	H3	D3
<b>BSASL12</b>	13 1/4	12 3/4	22
<b>BSASL16</b>	16 1/4	12 3/4	19 7/8



# BUILT IN DOORS & DRAWERS



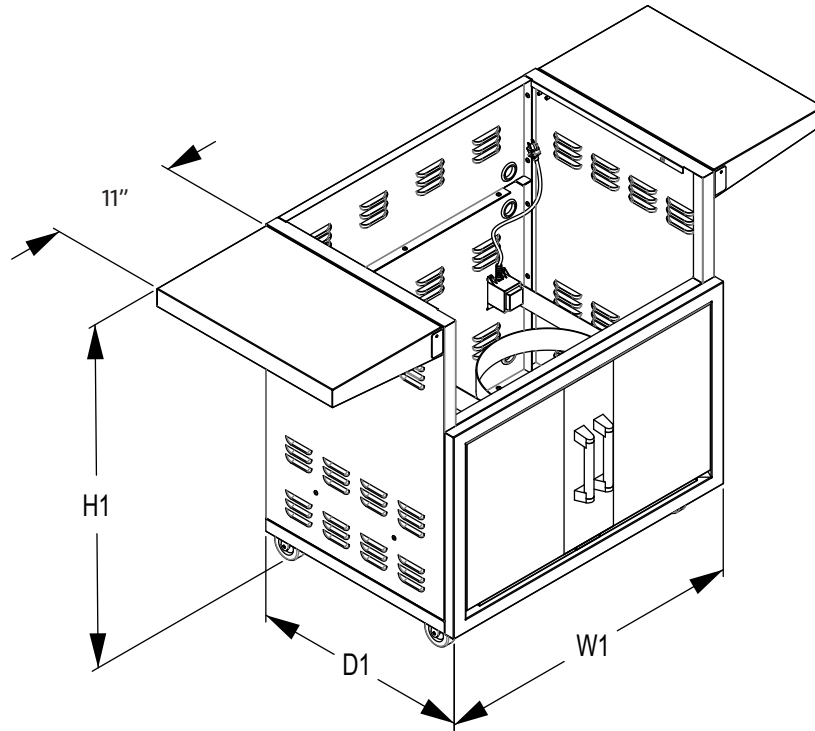
DOORS (IN INCHES)			
	W4	H4	D4
<b>BSAD1722</b>	14 1/4	19 1/4	2 min.
<b>BSAD2422</b>	21 1/4	19 1/4	2 min.
<b>BSAD2622D</b>	23 1/4	19 1/4	2 min.
<b>BSAD3422D</b>	31 1/4	19 1/4	2 min.
<b>BSAD4222D</b>	39 1/4	19 1/4	2 min.
<b>BSAW3422SD</b>	31 1/4	19 3/8	19 3/4
<b>BSAW4222SD</b>	39 1/4	19 3/8	19 3/4

DRAWERS (IN INCHES)			
	W5	H5	D5
<b>BSAW2022D</b>	17 3/8	19 1/4	19 3/4
<b>BSAW1826T</b>	15 1/8	23 1/4	19 3/4
<b>BSAW2022</b>	17 1/4	19 1/4	16
<b>BSAW1826R</b>	15 1/4	23 1/4	16 1/2



# Stainless Grill DIMENSIONS.

## CARTS



CART DIMENSIONS (IN INCHES)			
	W1	H1	D1
BSACT32	33 1/2	35 3/4	22
BSACT40	41 1/2	35 3/4	22



## WARRANTY

**LIMITED LIFETIME:** Against rust-through on stainless steel grill housing, stainless steel cooking grids, and select stainless steel components including carts, cast stainless steel Bow Tie Burners, stainless steel drip tray, side burners, side burner housings, warming racks, built-in sleeves, access doors and drawers, and vent register kits.

**LIMITED 5 YEAR:** Against rust-through on flare control vaporizers and heat zone dividers. **1 YEAR:** Against rust-through on valves, knobs, ignitors, labels, hoses, fittings, and all other parts and accessories – including those made from stainless steel.

BROILMASTER

918 Freeburg Avenue • Belleville, Illinois 62220 | 010119 041023